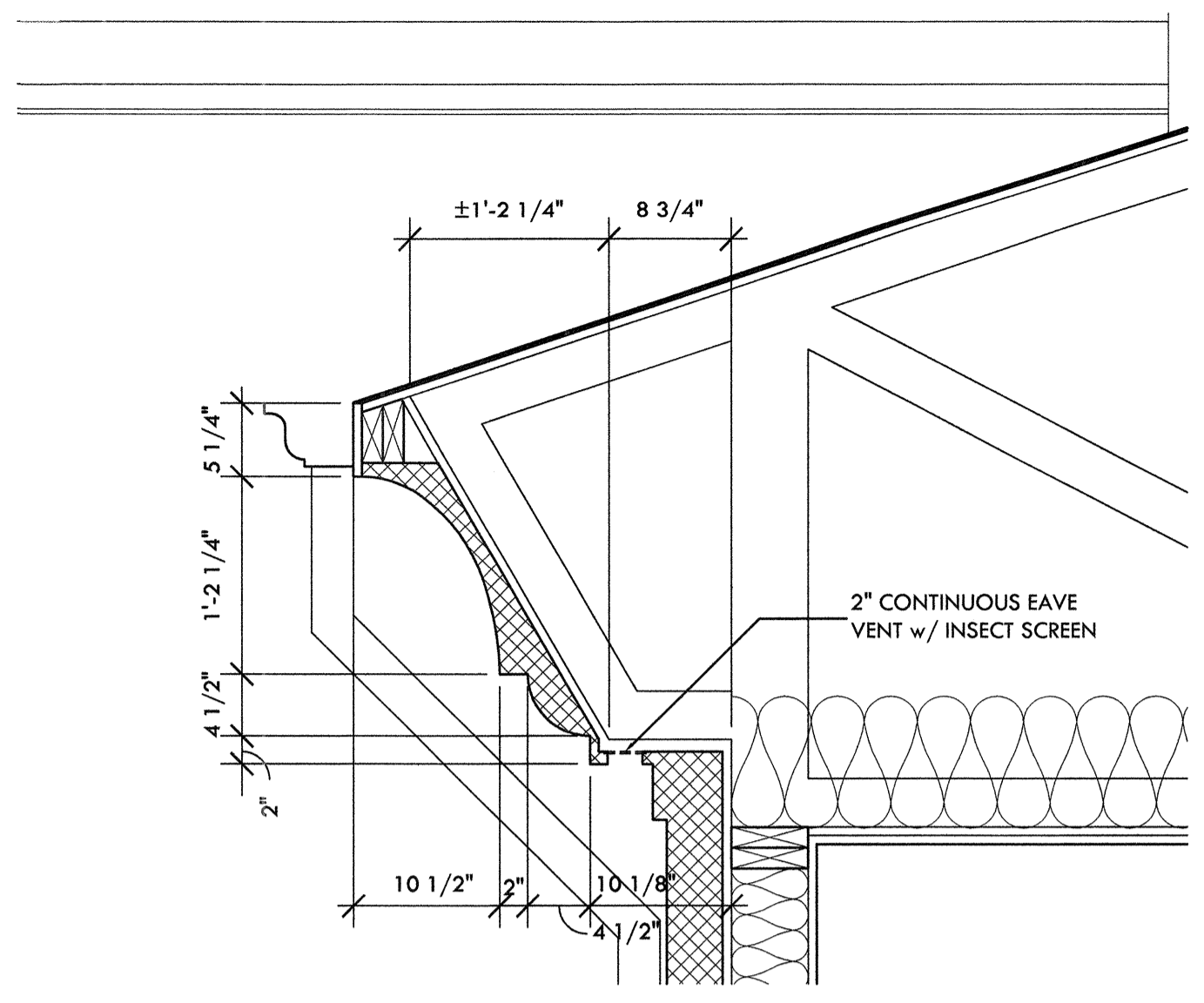
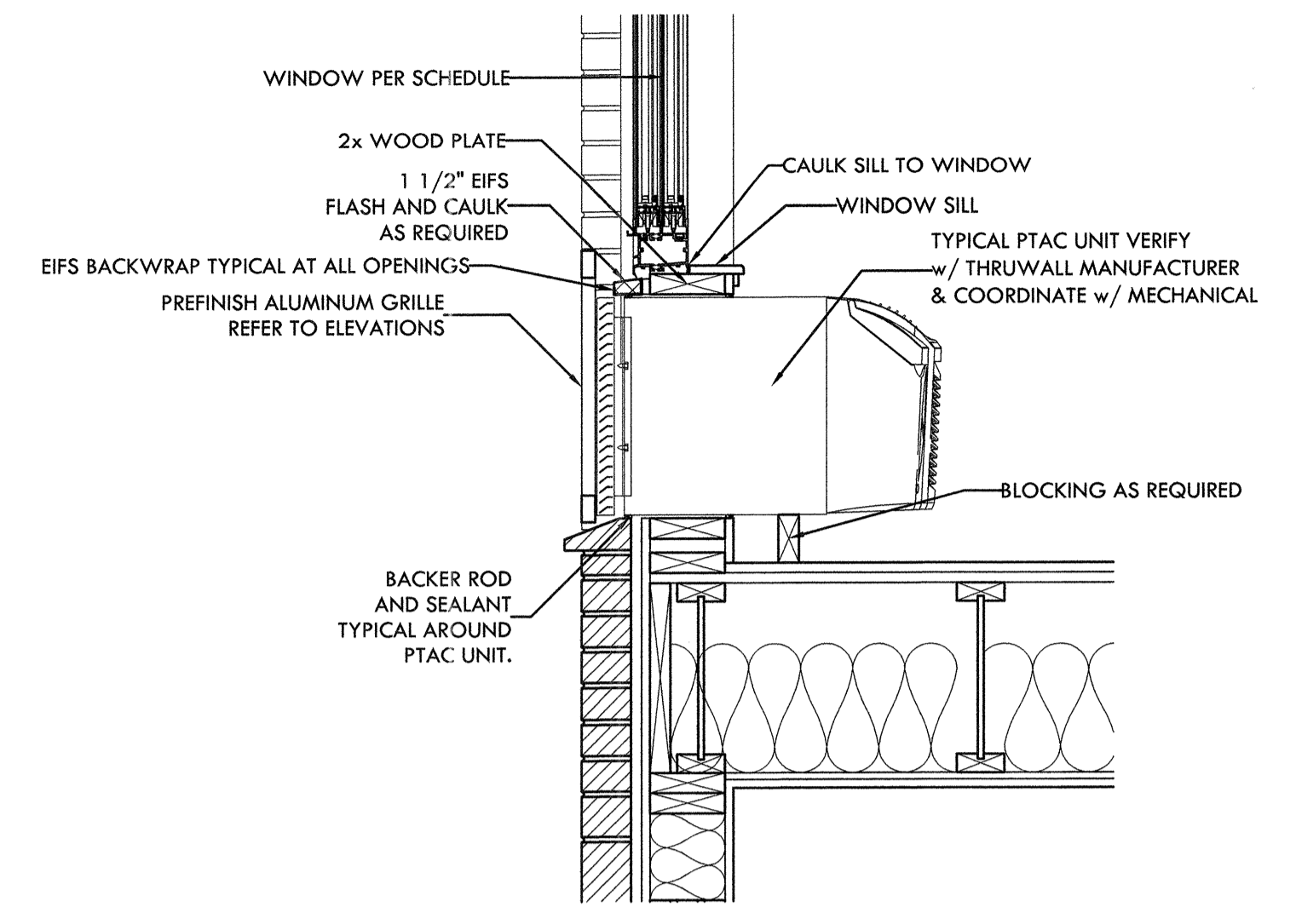


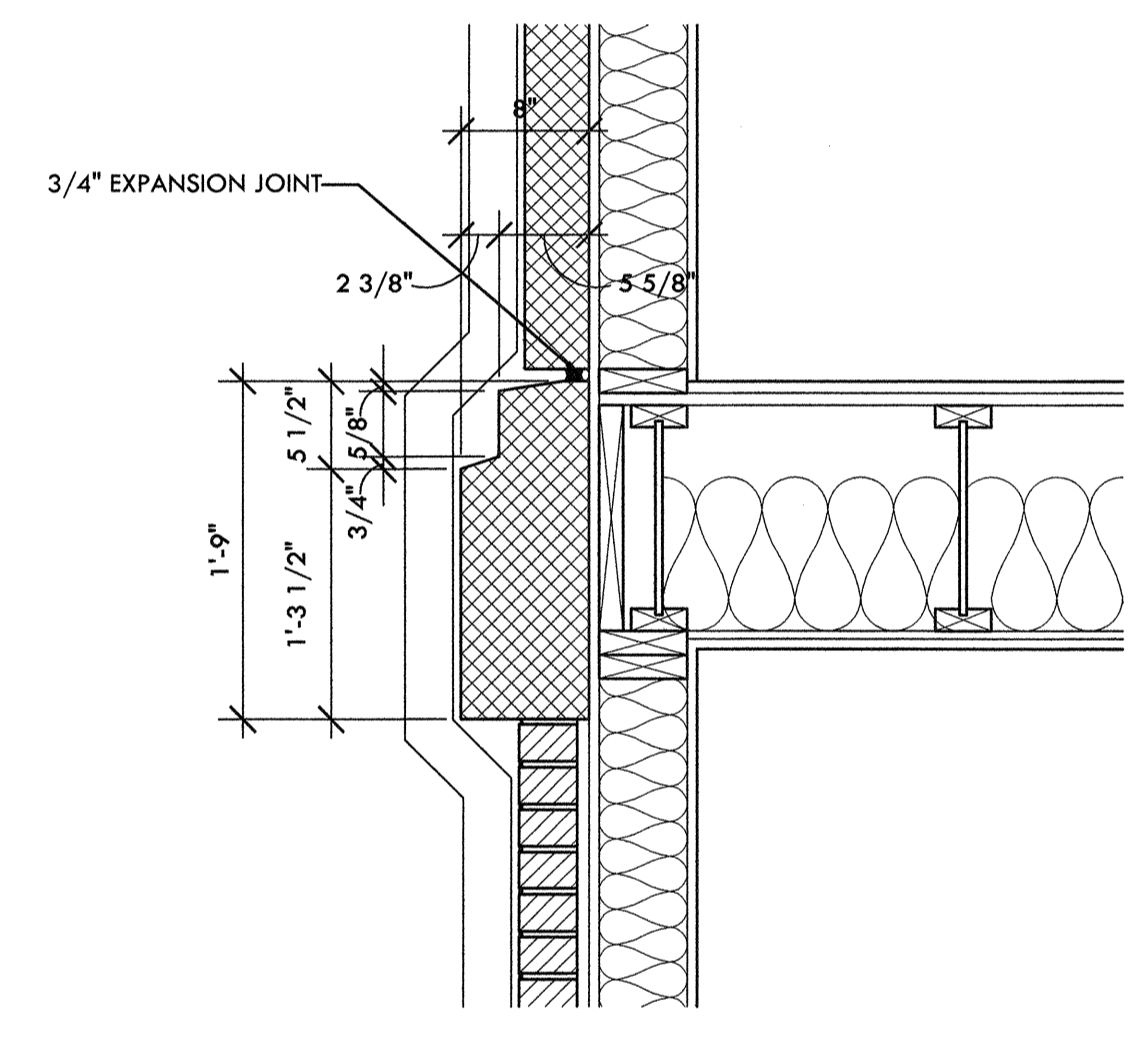
1 TYPICAL PARAPET
SCALE: 1" = 1'-0"



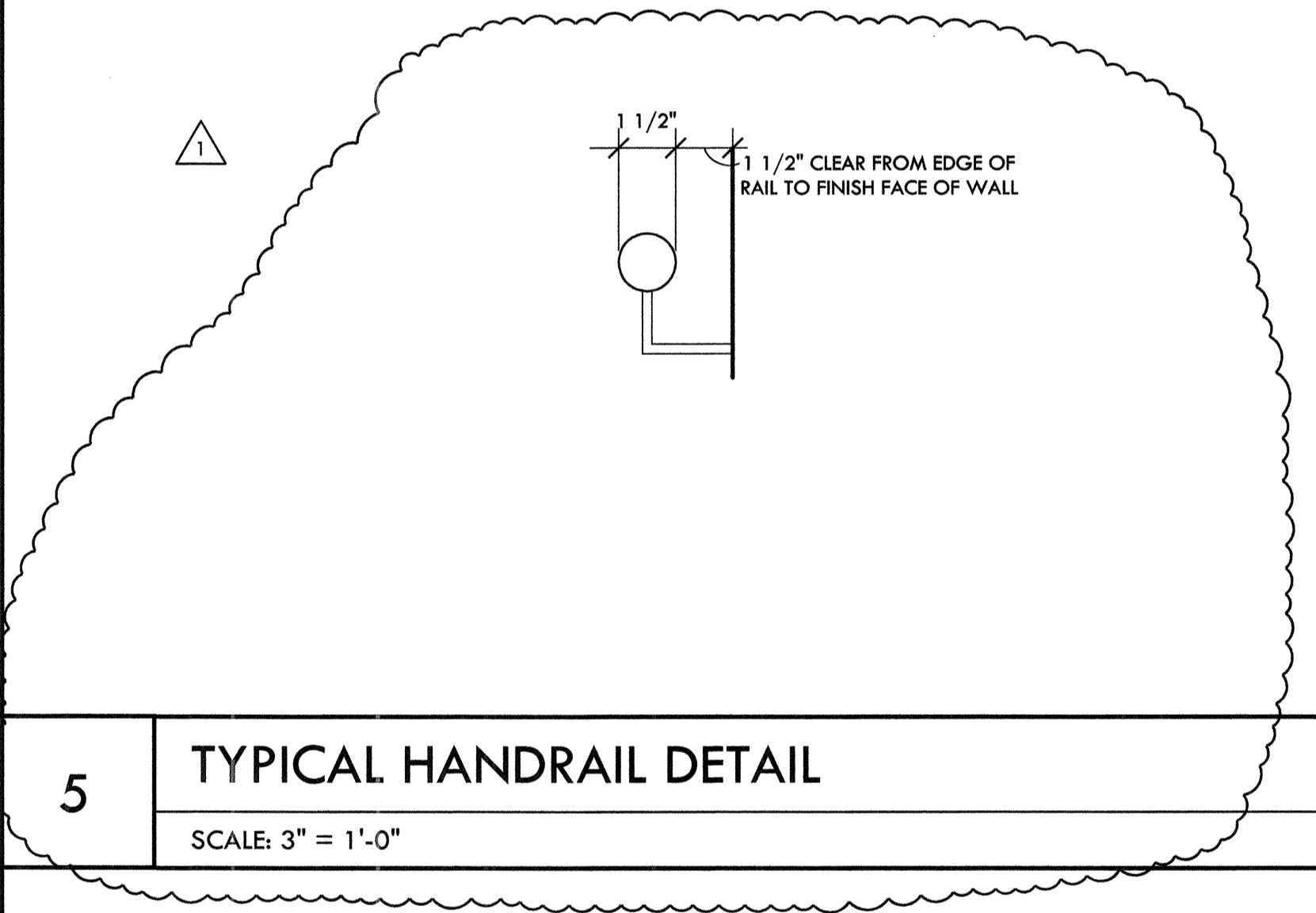
2 TYPICAL EIFS CORNICE
SCALE: 1" = 1'-0"



3 TYPICAL PTAC UNIT
SCALE: 1" = 1'-0"

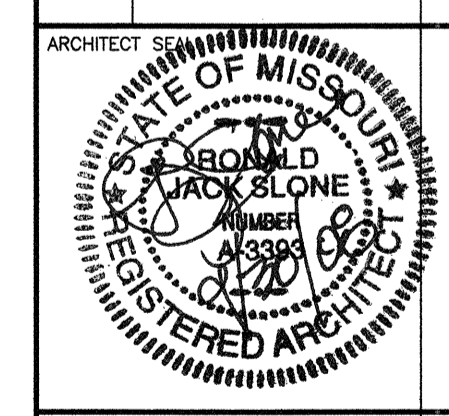


4 TYPICAL EIFS TRIM BAND
SCALE: 1" = 1'-0"



5 TYPICAL HANDRAIL DETAIL
SCALE: 3" = 1'-0"

MARK	REVISION DATE	DESCRIPTION
△	09-30-08	ADDED DETAIL



SLONE ARCHITECTS
PLANNERS, AIA
BUILDING J, SUITE 100
1200 EAST WOODLUST DRIVE
SPRINGFIELD, MISSOURI 65804
PH: (417) 887-4575 FAX: (417) 887-5060
www.slonearchitects.com

ENGINEER SEAL

JBB HOSPITALITY, INC.:
HOLIDAY INN EXPRESS
HOTEL & SUITES
ST. ROBERT · MISSOURI

<small>The Drawings, Specifications and other documents prepared by the Architect for the Project are instruments of the Architect's service for use solely with respect to this Project and, unless otherwise provided, the Architect shall be deemed the author of these documents and shall retain all common law, statutory & other reserved rights, including the copyright. The Architect's Drawings, Specifications or other documents shall not be used by the Owner or others on other projects, for additions to this Project or for completion of this Project by others, except by agreement in writing and with appropriate consideration to the Architect.</small>	JOB NO. 07-153	SHEET A5.11
	DATE 07-14-08	OF 12 SHEETS