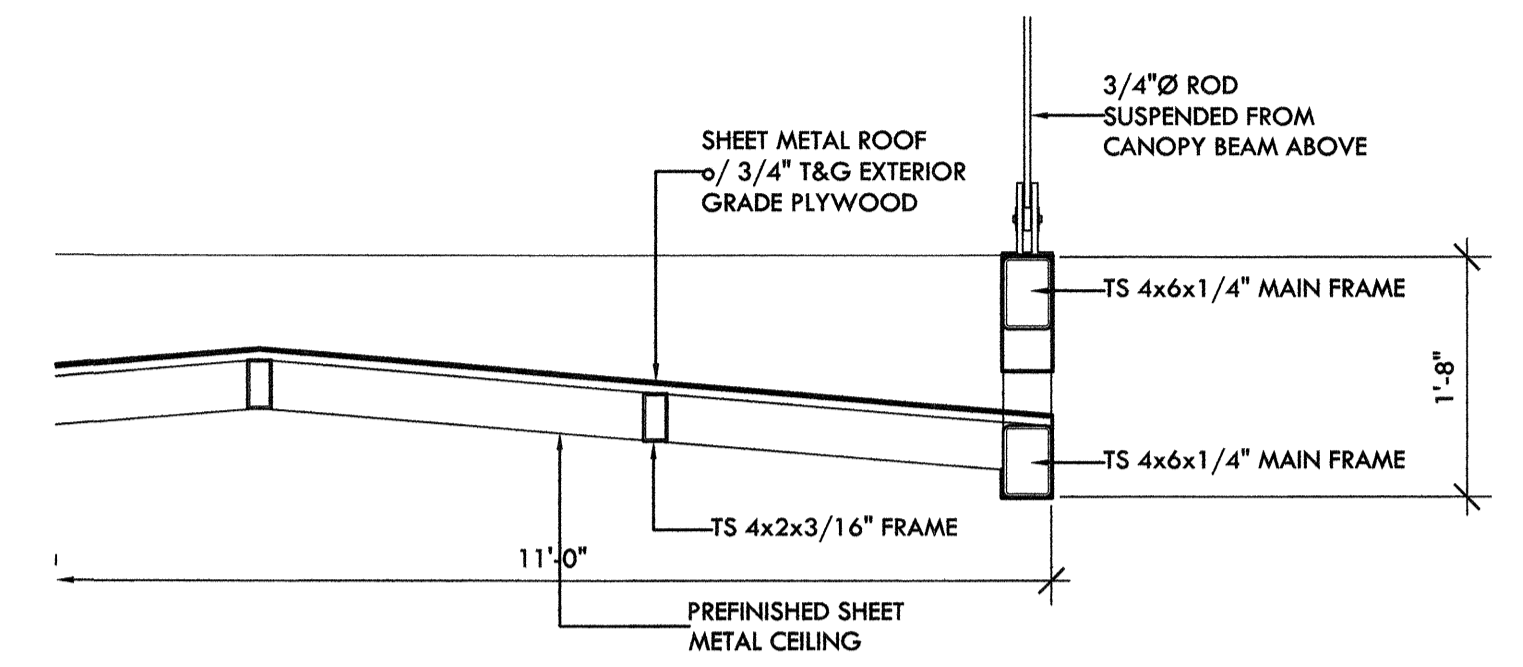
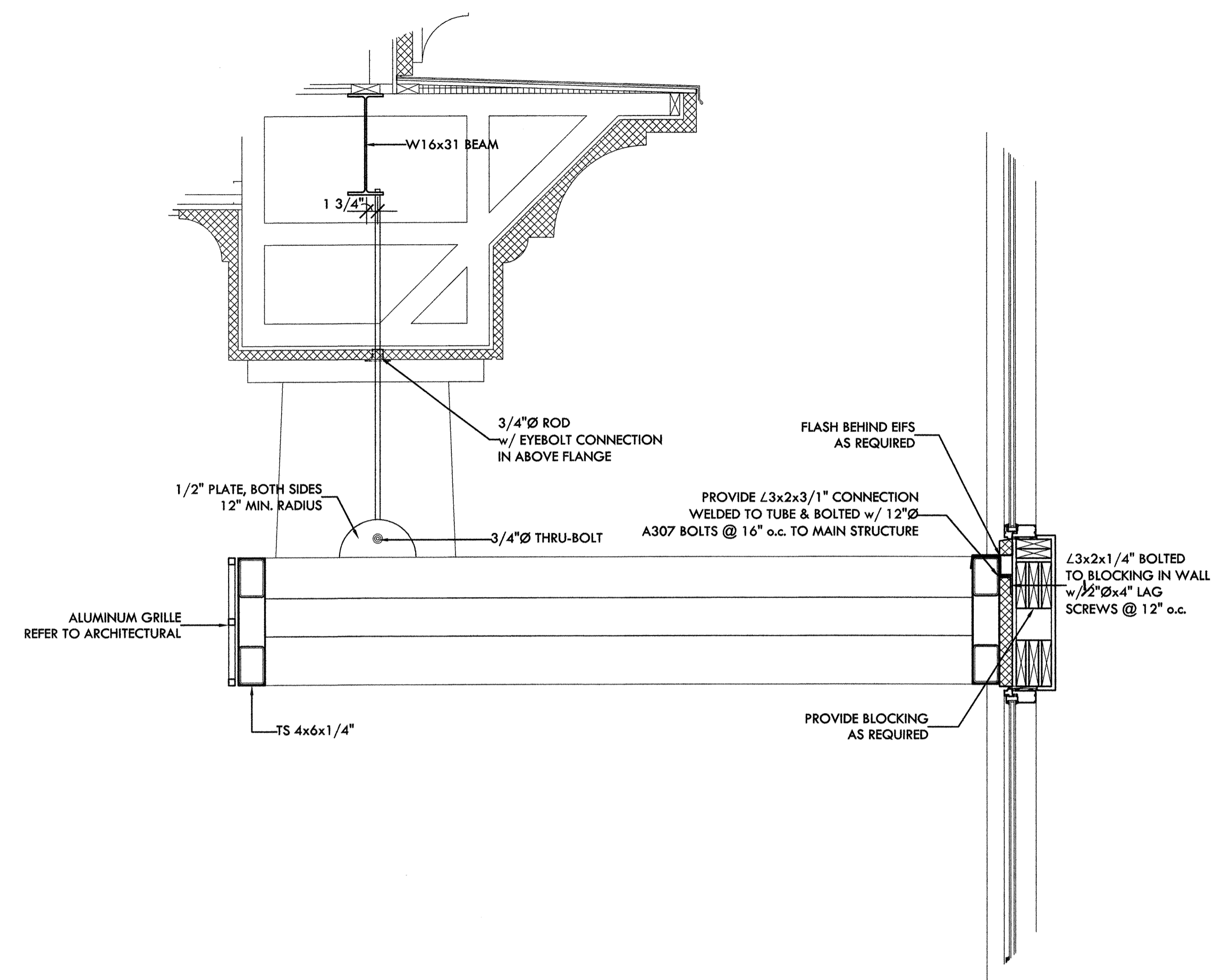


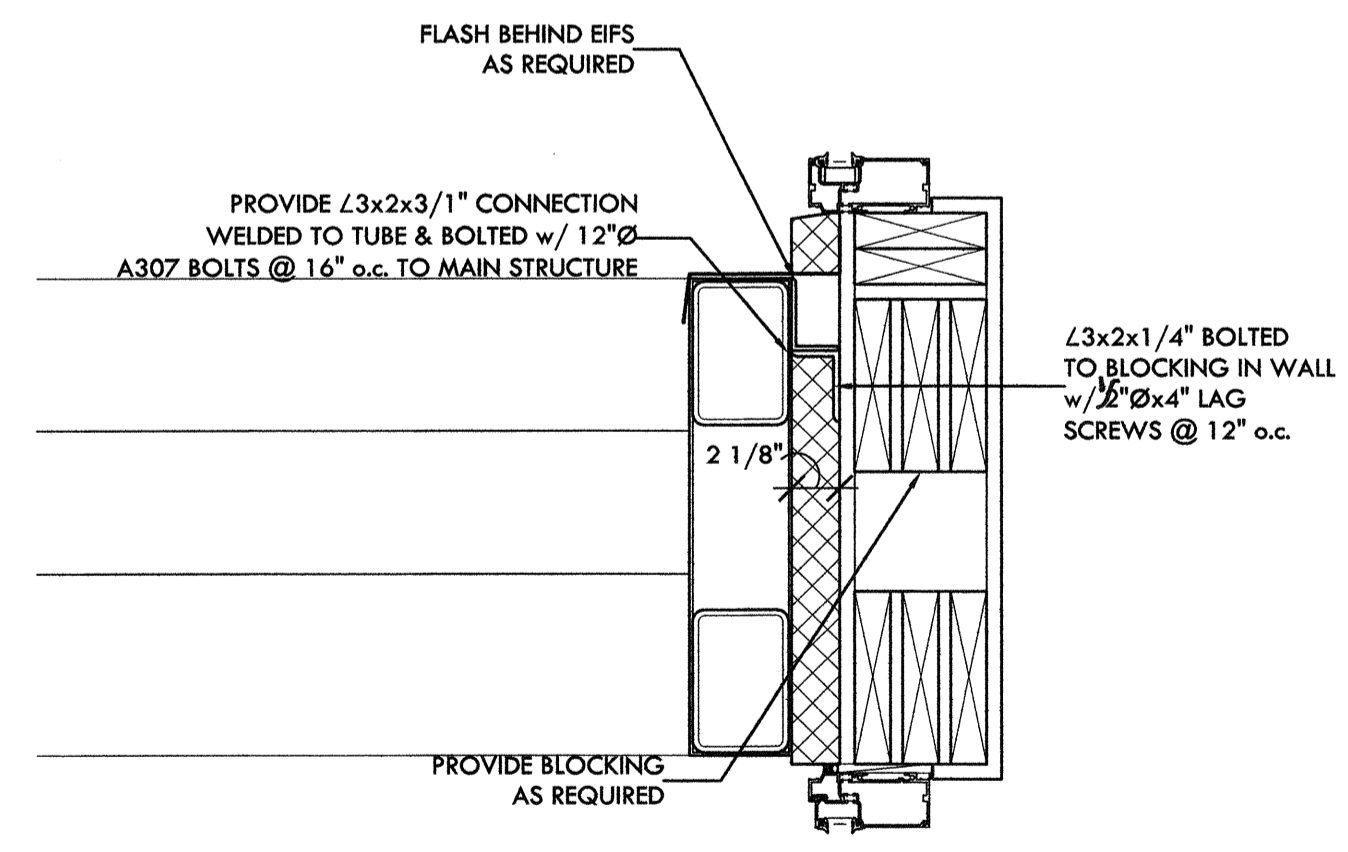
**1** MOMENT FRAME DETAIL  
SCALE: 3/4" = 1'-0"



**2** SUSPENDED CANOPY DETAIL  
SCALE: 3/4" = 1'-0"



**3** SUSPENDED CANOPY DETAIL  
SCALE: 3/4" = 1'-0"



**4** ENLARGED CANOPY CONNECTION DETAIL  
SCALE: 1 1/2" = 1'-0"

MARK	REVISION DATE	DESCRIPTION

DRAPING ONLY  
ENGINEER SEAL  
STRUCTURAL ENGINEERING ONLY

ARCHITECT  
STATE OF MISSOURI  
REGISTERED ARCHITECT

**SLONE ARCHITECT'S**  
PLANNERS, AIA

BUILDING - J, SUITE 100  
1200 EAST WOODHURST DRIVE  
SPRINGFIELD, MISSOURI 65804  
PH. (417) 887-4575 FAX (417) 887-5060  
www.slonearchitects.com

**EDELMAN ENGINEERING**

5820 E. VILLAGE LANE  
SPRINGFIELD, MO. 65809

TOM EDELMAN  
(417) 882-9850

**JBB HOSPITALITY, INC.:**  
**HOLIDAY INN EXPRESS**  
**HOTEL & SUITES**  
**ST. ROBERT • MISSOURI**